

GV-SD010 Indoor IP Speed Dome



- Provide 18X, 23X, 36X
- CIF and D1 resolution
- H.264, MPEG4 and MJPEG
- 2 way audio
- Digital In x 4, Digital Out x 1
- Preset speed up to 400°/sec
- Auto-calibration
- Digital image flip
- Minimum illumination 0.01 lux (B/W)
- Wide dynamic range
- 16 languages on web interface

The GV-IP Speed Dome provides variable pan/tilt speeds ranging from a fast patrol of 400° per second to a slow ramble of 5° per second with 0.225° pan accuracy for fast and accurate tracking ability. The 360° endless rotation and -10°~190° tilt travel make tracking the object passing directly beneath the GV-IP Speed Dome. A maximum of 256 preset points can be programmed for precise location of target areas, and users can also define 8 sequences, 4 auto-pan modes and 4 cruise routes for the Dome to operate automatically.

The GV-IP Speed Dome provides 4 alarm inputs and 1 alarm relay output, and the alarm management can be done through the network as well.

AVAILABLE MODELS

- GV-SD010-18X
- GV-SD010-23X
- GV-SD010-36X







SPECIFICATIONS

Models		GV-SD010-18X	GV-SD010-23X	GV-SD010-36X
Camera				
Image Sensor		1/4" Exview CCD	1/4" Progressive CCD	1/4" Exview CCD
Optical Zoom		18x	23x	36x
Digital Zoom		12x		
Effective Pixels	NTSC	380k		
	PAL	440k		
Horizontal Resolution	NTSC	530 TVL	540 TVL	530 TVL
	PAL	530 TVL	540 TVL	530 TVL
Scanning System		NTSC / PAL		
Synchronization		Internal / Line Lock		
Video Output		1.0 Vp-p / 75 Ω, BNC		
S/N Ratio		> 50 dB (AGC Off)		
Minimum Illumination		0.07 lux; 0.01 lux (B/W)	0.1 lux; 0.01 lux (B/W)	0.1 lux; 0.01 lux (B/W)
Focal Length		4.1 ~ 73.8 mm	3.6 ~ 82.8 mm	3.4 ~ 122.4 mm
Focus Mode		Auto / Manual		
White Balance		Auto / Manual		
Iris Control		Auto / Manual		
Electronic Shutter	NTSC	1/1 ~ 1/10k s	1/2 ~ 1/30k s	1/1 ~ 1/10k s
	PAL	1/1 ~ 1/10k s	1/1.5 ~ 1/30k s	1/1 ~ 1/10k s
AGC Control		Auto / Manual		
Back Light Compensation		On / Off		
Video				
Video Codec		H.264, MPEG4, MJPEG		
Video Resolution	NTSC	704 x 480, 704 x 480 De-interlace, 352 x 240		
	PAL	704 x 576, 704 x 576 De-interlace, 352 x 288		
Frame Rate		30/25 fps (60/50 Hz) at D1		

Optional Accessories

Optional accessories can be ordered separately depending on the application requirements. Contact your dealer for more information.

Model Number	Name	Details
81-D7H03-ST1	Straight Tube (25 cm) 	Height: 250 mm / 9.8 in Diameter: 50 mm / 2 in Weight: 1 kg / 2.2 lb Supplied with rubber washer-8 x 1, pendent tube washer x 1, spring washer -8 x 1, waterproof rubber x 1, M8-12 screw x 1
81-D7H03-ST2	Straight Tube (50 cm) 	Height: 500 mm / 19.7 in Diameter: 50 mm / 2 in Weight: 1.8 kg / 4 lb Supplied with rubber washer-8 x 1, pendent tube washer x 1, spring washer -8 x 1, waterproof rubber x 1, M8-12 screw x 1
81-D7H03-WMP (w/ anti-drop wire) 81-D7H32-WMP (w/o anti-drop wire)	Mini Pendent Mount 	Dimensions (L x W x D): 184 x 104 x 115.2 mm / 7.24 x 4.09 x 4.54 in Weight: 0.6 kg (1.2 lb) Supplied with rubber washer-8 x 1, pendent tube washer x 1, spring washer-8 x 1, M8-12 screw x 1.
81-D7H03-WSP (w/ anti-drop wire) 81-D7H32-WSP (w/o anti-drop wire)	Standard Pendent Mount 	Dimensions (L x W x D): 348 x 104 x 138.6 mm / 13.7 x 4.1 x 5.5 in Weight: 1.5 kg / 3.3 lb Supplied with rubber washer-8 x 1, pendent tube washer x 1, spring washer-8 x 1, M8-12 screw x 1
81-D7H05-CST	Corner Plate Mount 	Dimensions (L x W x D): 222 x 204 x 117 mm / 8.7 x 8 x 4.6 in Weight: 2 kg / 4.4 lb Supplied with washer-8 x 4, spring washer x 4, M8-16 screw x 4, M8 nut x 4
81-D7H05-CTB	Corner Thin Box Mount 	Dimensions (L x W x D): 300 x 164 x 222 mm / 11.8 x 6.5 x 8.7 in Weight: 3.05 kg / 6.7 lb Supplied with washer x 4, M8-16 screw x 4, spring washer x 4 Power Box can be set inside the thin box.
81-D7H05-PTB	Pole Thin Box Mount 	Dimensions (L x W x D): 291 x 136 x 242 mm / 11.5 x 5.4 x 9.5 in Weight: 3.1 kg / 6.9 lb Supplied with M8-16 screw x 4, washer x 4, spring washer x 4, stainless steel straps x 4 Power Box can be set inside the thin box.

81-D7H05-PTD	Pole Thin Direct Mount	<p>Dimensions (L x W x D): 232 x 136 x 60 mm / 9.1 x 5.4 x 2.4 in</p> <p>Diameter: 112~114 mm / 4.4 ~ 5.5 in</p> <p>Weight: 0.7 kg / 1.6 lb</p> <p>Supplied with stainless steel strap x 4, M8-16 screw x 4, washer x 4</p>	
	81-D7H05-WBM	Wall Box Mount	<p>Dimensions (L x W x D): 270 x 166 x 95 mm / 10.6 x 6.5 x 3.7 in</p> <p>Weight: 2.2 kg / 4.84 lb</p> <p>Supplied with M8-16 screw x 4, washer x 4, spring washer x 4</p> <p>Power Box can be set inside the wall box.</p>
	81-D7H05-MK2	Indoor Mount Kit	<p>Height: 74 mm / 2.9 in</p> <p>Diameter: 140 mm / 5.5 in</p> <p>Weight: 0.3 kg / 0.7 lb</p> <p>Supplied with Waterproof Rubber, Hexagon Key, Lock Screw Plate, M5-8 screw x 1, M5-8 security screw x 1, M3-6 screw x 1</p>
	81-D7H06-HCM	Hard Ceiling Mount	<p>Height: 21.4 mm / 0.84 in</p> <p>Diameter of the three holes: 4.5 mm / 0.17 in</p> <p>Diameter of the bracket: 158 mm / 6.22 in</p> <p>Supplied with Fixing Plate and Red Sticker</p>
	81-D7H06-TBC	T-Bar Ceiling Mount	<p>Height: 160 mm / 6.3 in</p> <p>Diameter: 180 mm / 7.1 in</p> <p>Weight: 0.5 kg / 1.1 lb</p>
	81-DH701-S01	5.4" Smoke Cover	<p>Indoor use only</p> <p>Diameter: 137 mm / 5.4 in</p>
			

GV-IP Speed Dome Installation Methods

With the proper accessories, GV-IP Speed Dome can adapt to environment requirements to be installed differently. The table below lists a variety of installation methods and the optional accessories you need to purchase for different installation methods.

Installation Method	Optional Accessories Needed	
	Indoor Type	Outdoor Type
Ceiling Mount		
Surface Mount	Standard package is enough	N/A
Flush Mount	T-Bar Ceiling Mount	N/A
Straight Tube Mount	Straight Tube Indoor Mount Kit	Straight Tube
Wall Mount		
Standard Pendent Mount	Standard Pendent Mount Indoor Mount Kit	Standard Pendent Mount
Mini Pendent Mount	Mini Pendent Mount Indoor Mount Kit	Mini Pendent Mount
Wall Box Mount	Wall Box Mount Indoor Mount Kit Standard/Mini Pendent Mount	Wall Box Mount Standard/Mini Pendent Mount
Corner Mount		
Corner Plate Mount	Corner Plate Mount Indoor Mount Kit Standard/Mini Pendent Mount	Corner Plate Mount Standard/Mini Pendent Mount
Corner Thin Box Mount	Corner Thin Box Mount Indoor Mount Kit Standard/Mini Pendent Mount	Corner Thin Box Mount Standard/Mini Pendent Mount
Pole Mount		
Pole Thin Direct Mount	Pole Thin Direct Mount Indoor Mount Kit Standard/Mini Pendent Mount	Pole Thin Direct Mount Standard/Mini Pendent Mount
Pole Think Box Mount	Pole Think Box Mount Indoor Mount Kit Standard/Mini Pendent Mount	Pole Think Box Mount Standard/Mini Pendent Mount

Ceiling Mount Options

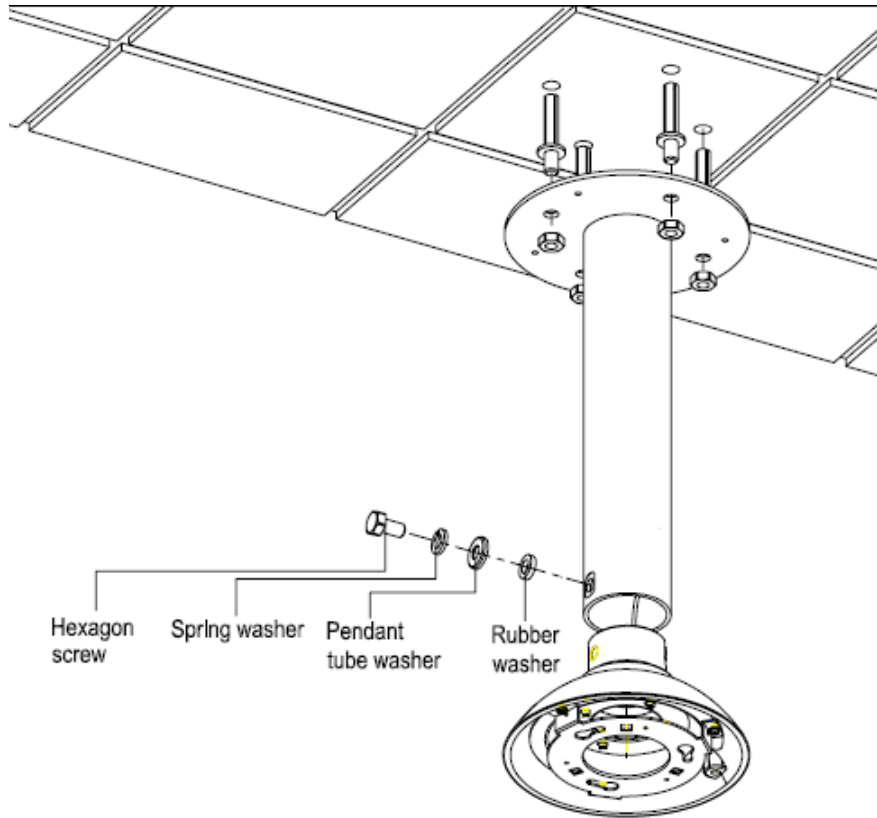
Surface Mount (Indoor Only)



Flush Mount (Indoor Only)

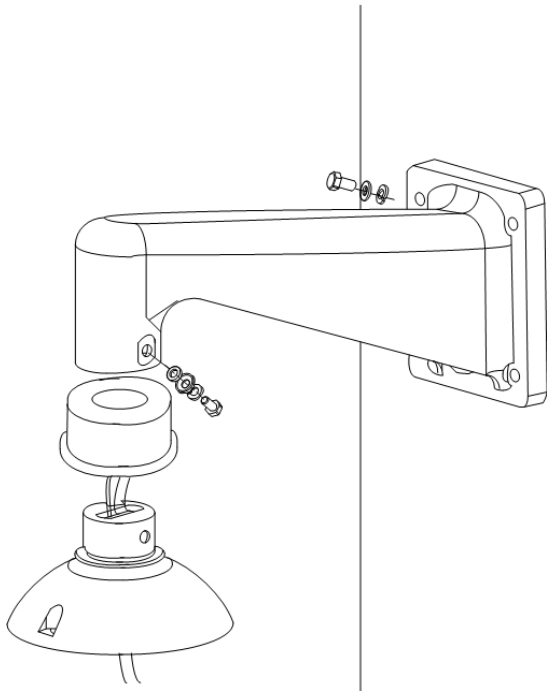


Straight Tube Mount

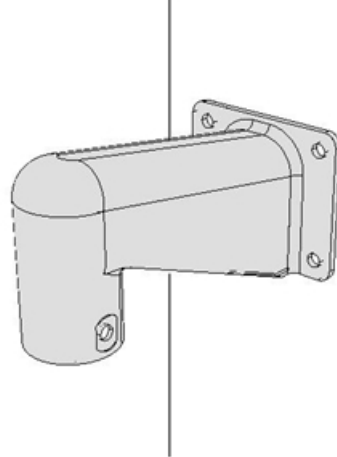


Wall Mount Options

Standard Pendant Mount

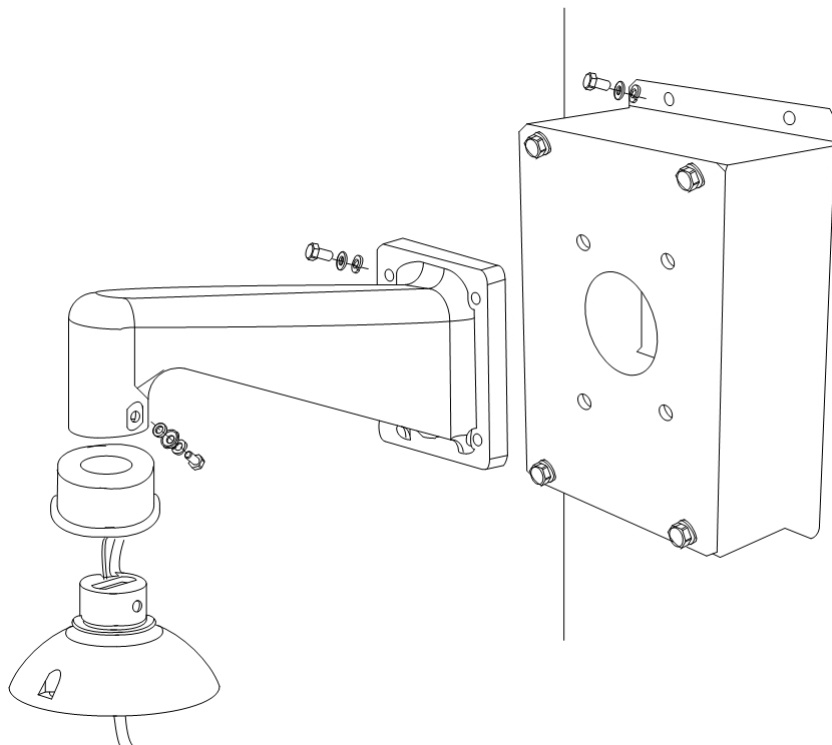


Mini Pendant Mount



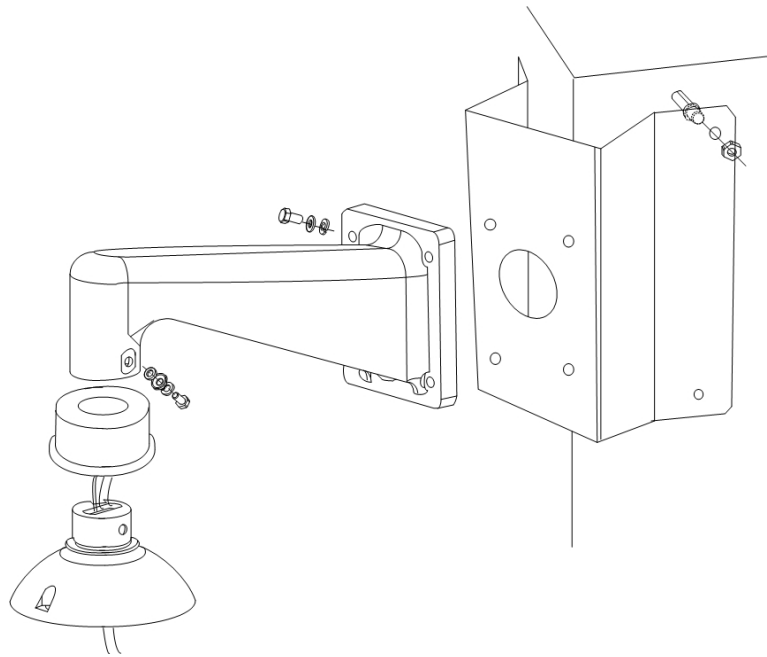
Wall Box Mount

The Power Box can be set inside the wall box.



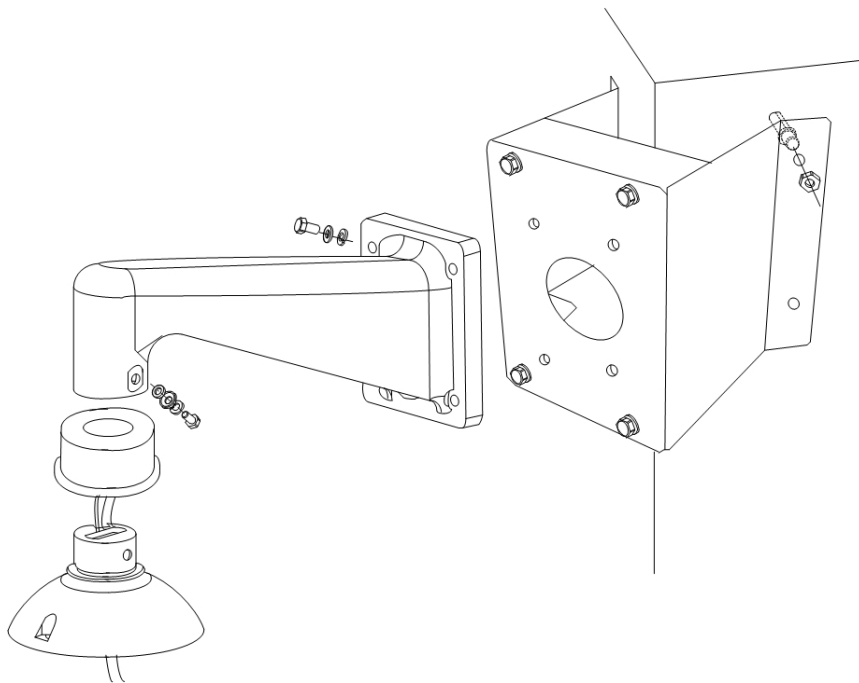
Corner Mount Options

Corner Standard Mount



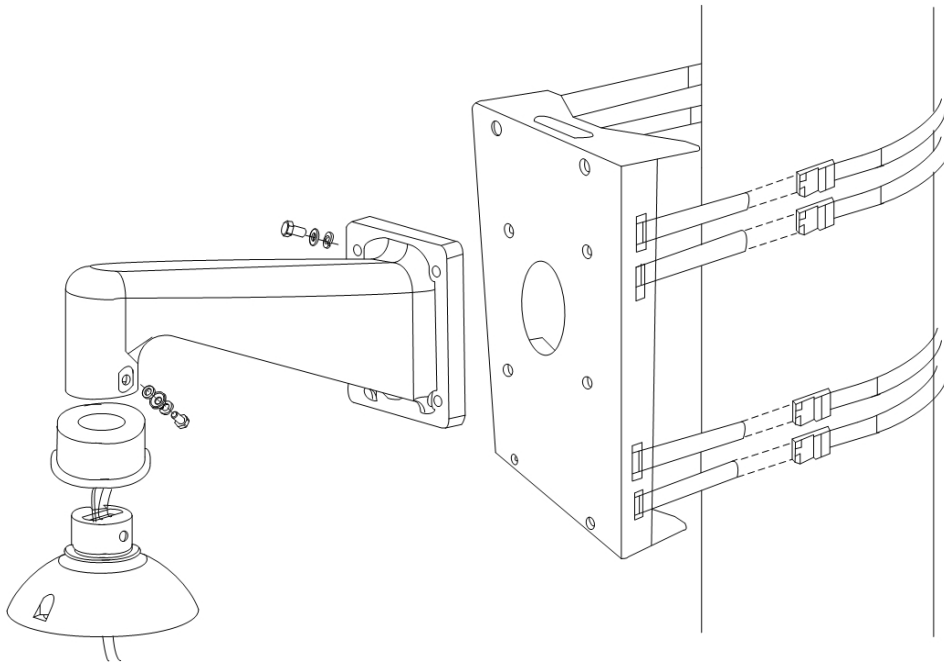
Corner Thin Box Mount

The Power Box can be set inside the thin box.



Pole Mount Options

Pole Thin Direct Mount



Pole Thin Box Mount

The Power Box can be set inside the thin box.

