

# GPRS14 Plug-in Communicator Module Installation Instructions

P ▲ R ▲ D O X™

The following depicts the steps required to install the GPRS14 Plug-in Communicator Module. For more information on how to setup the MG6250 console for GPRS, GSM and/or SMS reporting, please refer to the MG6250 Menu Programming Guide.

## Description

The GPRS14 module is used to provide reporting via GPRS, GSM, and/or SMS to the MG6250 console. It also features dual SIM cards for provider redundancy. The GPRS14 module is mounted directly onto the MG6250 console's PCB.

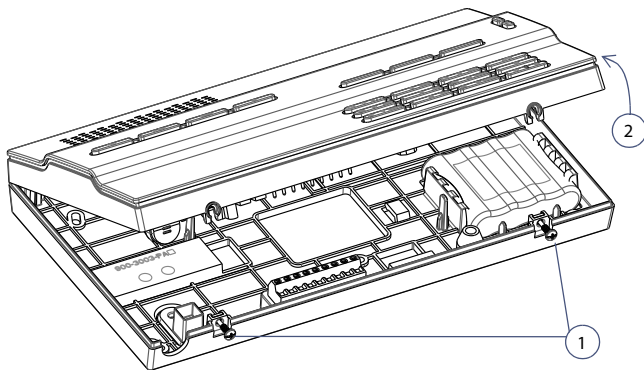
## Installation Instructions

The following describe the steps required to install the GPRS14 module onto the PCB of the MG6250 Console.

**NOTE:** Before installing the GPRS14 module, disconnect all power to the unit. For compliance to FCC, external antenna (model: ANTKIT) must be used and installed at least 20cm away from unit.

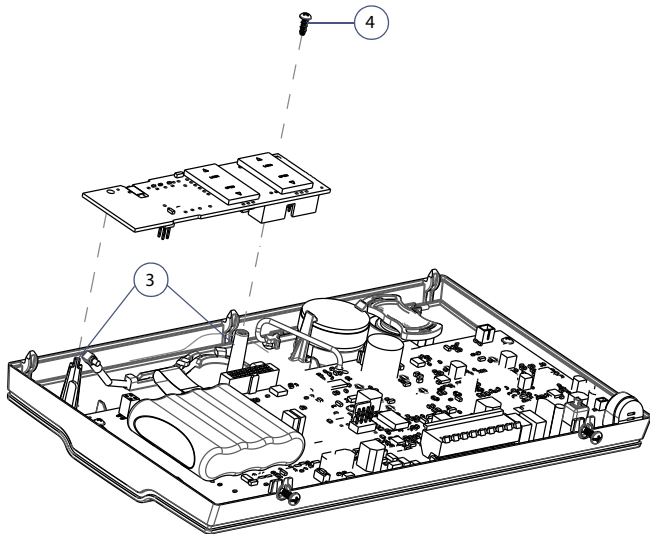
### To Install the GPRS14 Module on the MG6250 Console

- 1) Unscrew the two bottom screws holding the top cover of the MG6250 console into place.
- 2) Lift and remove the front cover of the MG6250 console.



- 3) Place the GPRS14 module directly onto the MG6250's plastic mounting rods and align with the 18-pin female connector and snap into place.
- 4) Insert the screw provided into the plastic mounting rod; tighten using the appropriate screwdriver.

Once the GPRS14 module has been installed, re-assemble the MG6250 console and connect power to the unit.



### What's Next

This completes the installation of the GPRS14 module. The next step is to configure the MG6250 console for reporting via the menu-driven user interface. Refer to the MG6250 Menu Programming Guide.