

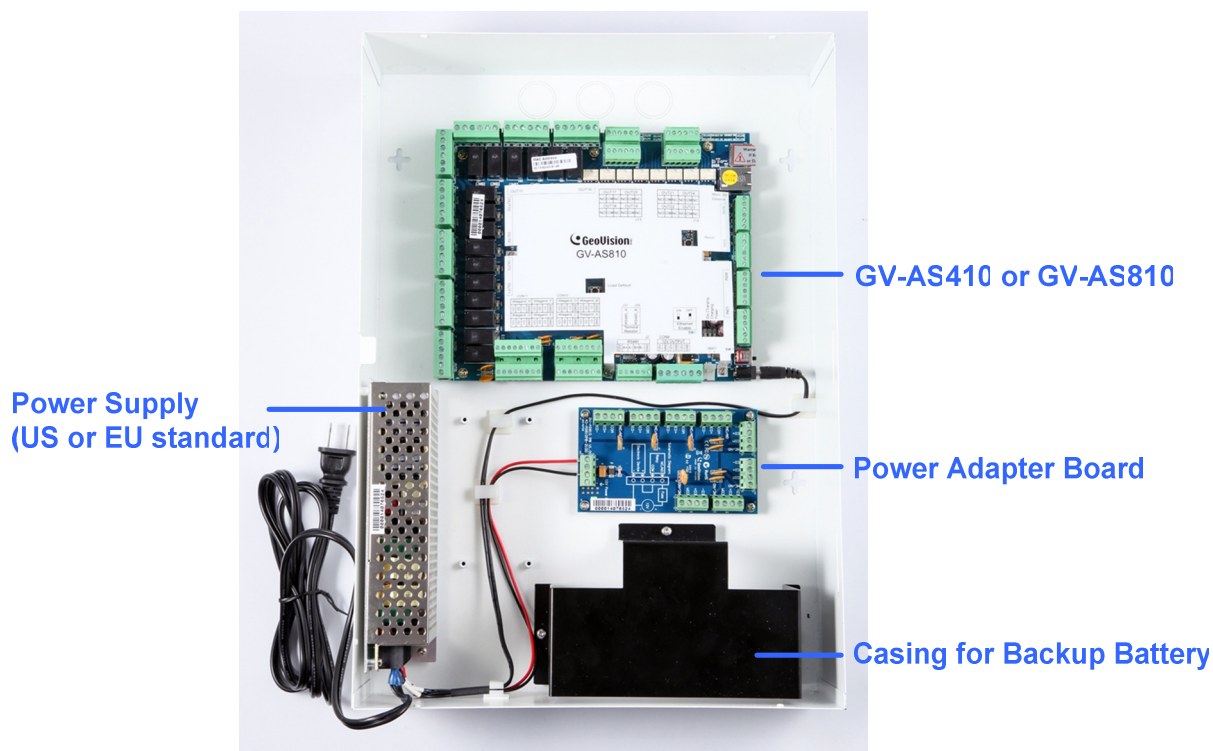
GV-AS410 Kit / GV-AS810 Kit

GV-AS410 Kit / GV-AS810 Kit is a cabinet containing a GV-AS410 or GV-AS810, a power adapter board, a power supply and a casing for backup battery. The power supply provides power to GV-AS410 / 810 and up to 8 output devices (12V, 0.9A per device).

Packing List

- GV-AS410 Kit / GV-AS810 Kit (US standard or EU standard)
- Iron box key
- Iron box screw x 6
- Self-adhesive cable tie mounts x 6
- Power cord for battery

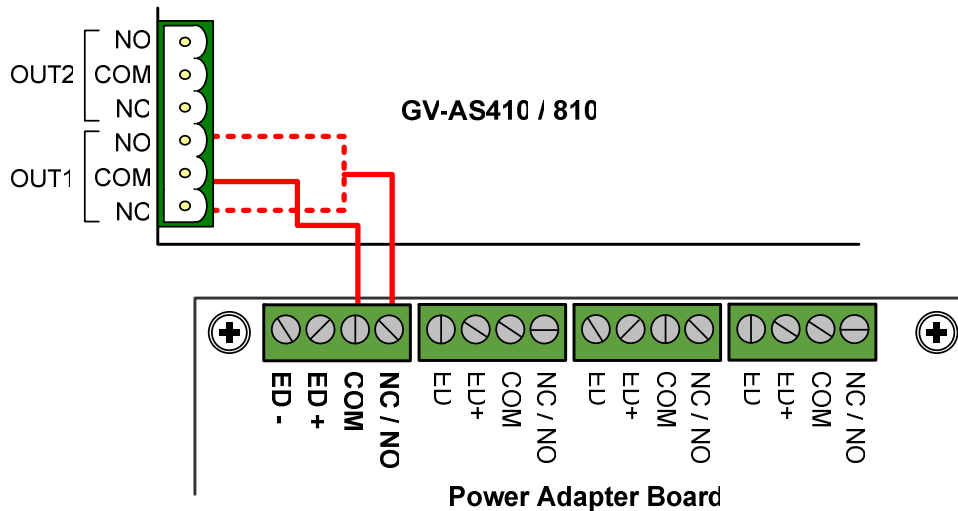
Overview



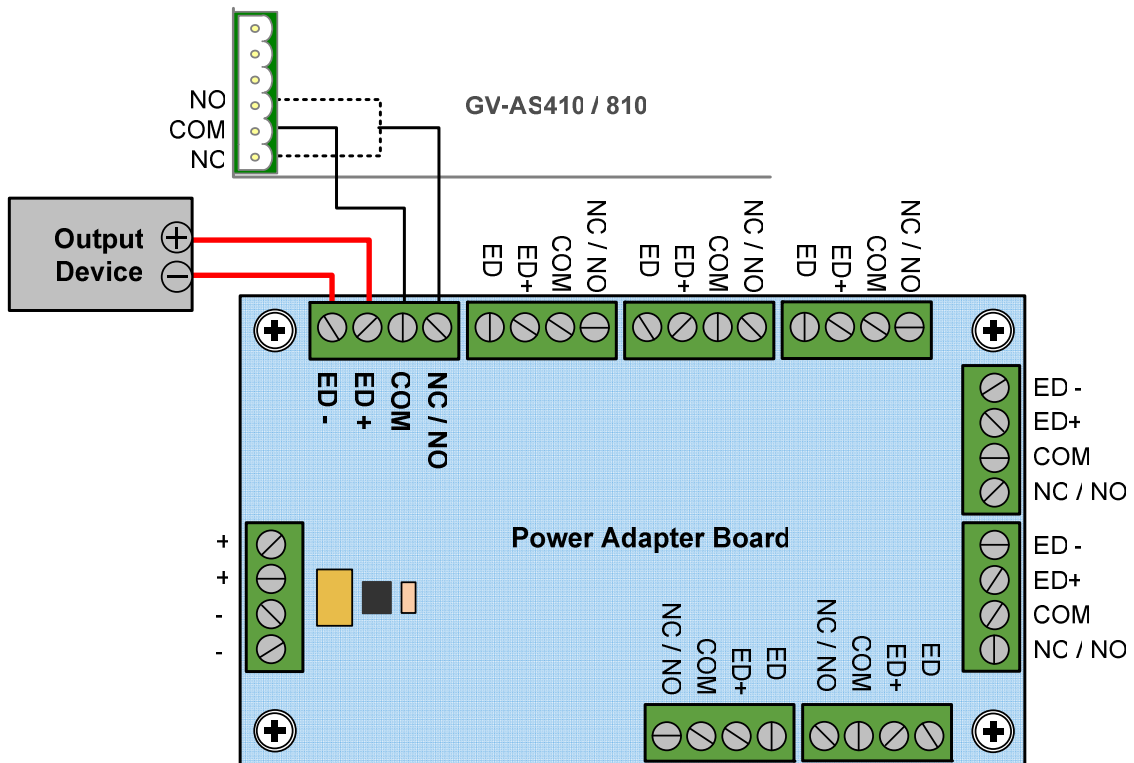
Connecting the GV-AS410 Kit / GV-AS810 Kit

Up to 8 output devices can be powered by the power adapter board. Connect each output device to one terminal block on the board.

1. Connect the **COM** pin on GV-AS410 / 810's output terminal block to the corresponding pin on the power adapter board. Connect the **NC / NO** pins according to the state of the output device.



2. Connect the **ED + / -** pins to the (+) and (-) points on the output device (ex: electric lock).



- When all connections are completed, connect the power supply to a power source.

Note:

- The power supply of GV-AS410 Kit / GV-AS810 Kit comes in US standard and EU standard. Make sure the device is connected with a voltage within its voltage range.
 - You can place a backup battery in the supplied battery casing, and connect the backup battery to the GV-AS410 / 810 board. Refer to 6.2.4 *Connecting Backup Battery in GV-AS/EV Controller User's Manual*.
-

Specifications

Power Adapter Board

Output	DC Voltage Range	12V
	Rated Current	0.9A
	Rated Power	10.8 W
Number of connectors	Input	2
	Output	8
Wire Size (AWG)		12 - 22

Power Supply

Output	DC Voltage Range	12V
	Rated Current	12.5A
	Current Range	0~10A
	Rated Power	150 W
Input	US Standard	110 – 120V, 50 Hz / 60 Hz
	EU Standard	200 – 240V, 50 Hz / 60 Hz

GV-AS410 Kit / GV-AS810 Kit

Dimensions (L x W x H)	420 x 300 x 110 mm / 16.5 x 11.8 x 4.33 in
Weight	4.4 kg / 9.68 lb

All specifications are subject to change without notice.