

RW485D: Wiegand - RS485 Converter



Description

The RW485D acts as a local interface between standard 7-wire door readers (26-bit Wiegand protocol) and the ACM24D Access Control module (RS485 protocol). The RW485D can be configured for either 5 V or 12 V and can support up to two Wiegand 7-wire door readers.

Overview

- 1) Reader voltage DIP switch
- 2) 4-wire OUT
- 3) Communication / status LEDs
- 4) 7-wire reader IN (2 readers)

Specifications

Input voltage	Typically 12 VDC (from the +/- on the ACM24D reader terminal)
Dimensions	DIN3.2: 5.6 X 10 X 6 cm (2.2 X 4 X 2.5 in.)
Operating temperature	-10°C to 50°C (14°F to 122°F)

Compatibility

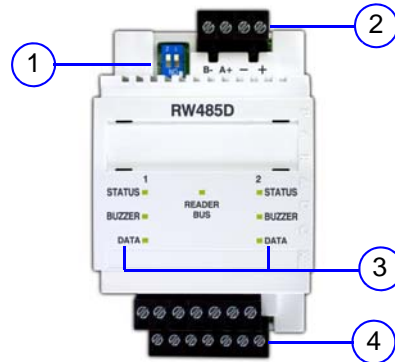
Functionality with an Imperial system requires the following hardware/software versions:

- Standard 7-wire 26 bit Wiegand readers
- ACM24D version 1.02 or higher
- BabyWare version 1.0.3 or higher
- The most recent version of the InField Paradox Upgrade Software (available at paradox.com in the Product Center's *Software* section)

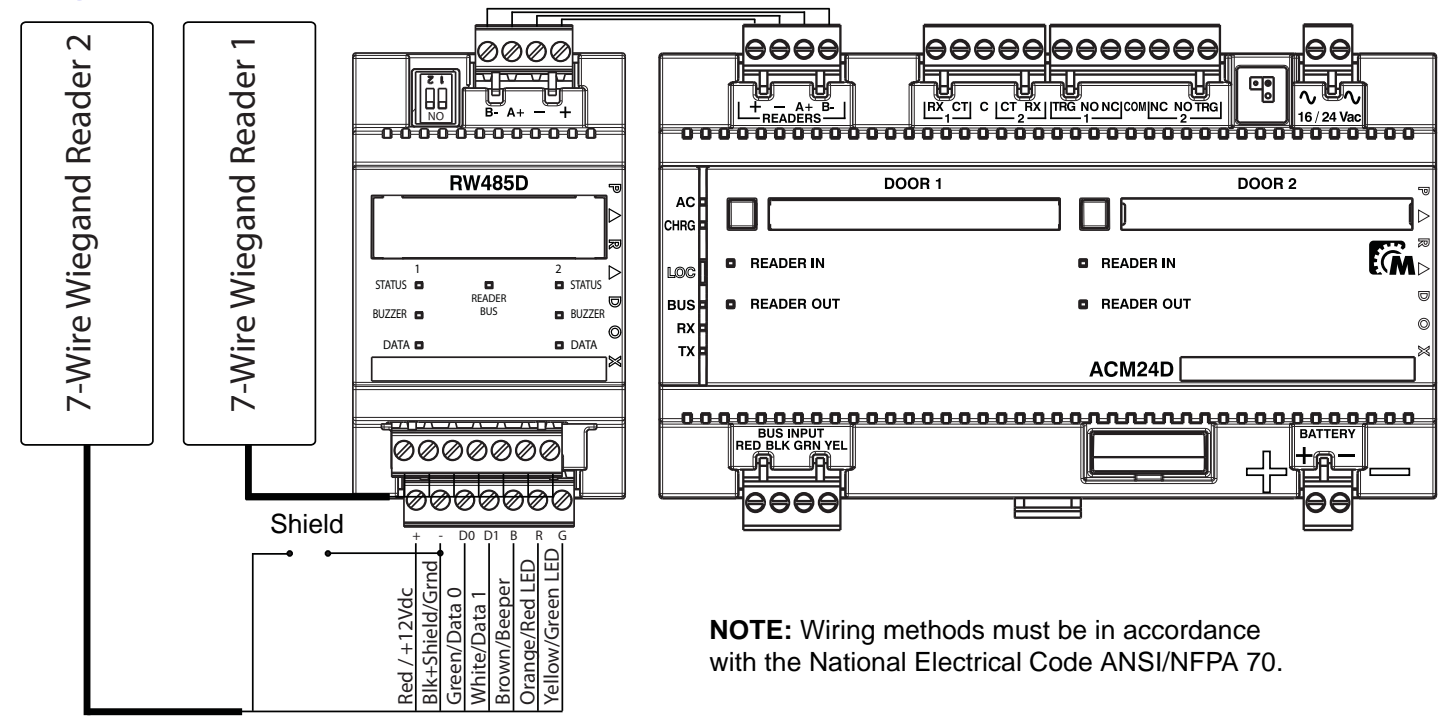
NOTE: For more detailed installation and programming instructions, refer to the Imperial System Guide.

Features

- Easy connection for up to two 7-wire card readers
- Supports 35mm DIN Rail mounting
- 7-LED module status display
- DIN rail enclosure with removable terminals for fast, secure, orderly and economical installation
- Bi-directional Module Locate feature (activated by ACM24D)

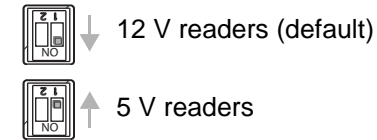


Wiring



NOTE: Wiring methods must be in accordance with the National Electrical Code ANSI/NFPA 70.

DIP Switch Reader voltage selection



WARNING: Before wiring readers to the unit, ensure that the DIP switch setting matches the reader voltage. Incorrect voltage may result in hardware damage.
NOTE: DIP 2 - future use

LED Feedback

R = Red G = Green B = Blue A = Amber □ = Off ■ = On ◻ = Flashing

DOOR STATUS

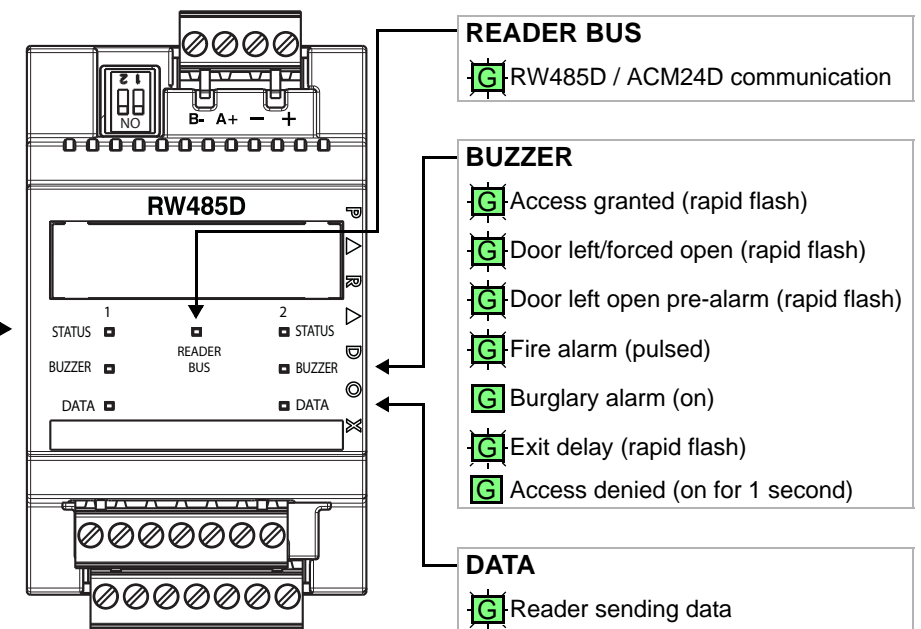
- ◻ Waiting for PIN entry (slow flash)
- Reading card
- Access denied (rapid flash)
 - Door left/forced open (rapid flash)
 - Door left open pre-alarm (slow flash)
- Access granted
 - Door unlocked
- Door locked

SECURITY

- Fire alarm (pulsed)
- Burglary alarm / entry delay (alternating)
- Armed (rapid flash)
- Exit delay (faster in last 10 sec.)

TROUBLESHOOTING

- Lost comm. with ACM24D
- Locate mode (rapid flash)



Patents: One or more of the following US patents may apply: 7046142, 6215399, 6111256, 6104319, 5920259, 5886632, 5721542, 5287111, 5119069, 5077549 and RE39406 and other pending patents may apply. Canadian and international patents may also apply.

Trademarks: Paradox Imperial, MAMA, BabyWare, the M logo, and the triangle logo are trademarks or registered trademarks of Paradox Security Systems Ltd. or its affiliates in Canada, the United States and/or other countries.

Certification: For the latest information on products approvals, such as UL and CE, please visit www.paradox.com.

Warranty: For complete warranty information on this product please refer to the Limited Warranty Statement found on the website www.paradox.com/ terms. Your use of the Paradox product signifies your acceptance of all warranty terms and conditions.

© 2010 Paradox Security Systems Ltd. All rights reserved. Specifications may change without prior notice.

P  **R**  **D O X**[®]
S E C U R I T Y S Y S T E M S
PARADOX.COM
Printed in Canada - 09/2010
IRW485D-EI01