

# Quick Start Guide

P32-820020-000a 820 A2

Please read this quick start guide thoroughly before use!

## NETWORK CAMERA

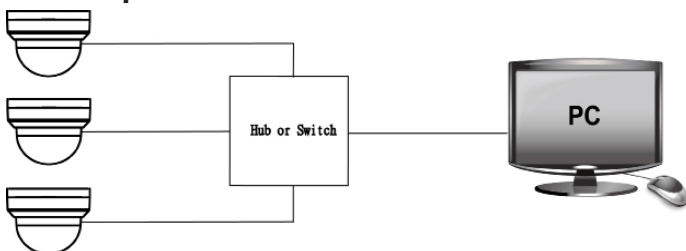
### • SAFETY

1. This quick start guide is designed for users who have adequate knowledge of network camera.
2. Do not touch the sensor imaging surface. Use soft cloth moistened with alcohol to clean the surface if it is touched accidentally.
3. Ensure the supply voltage is correct as specified for the particular variant of camera before operation.
4. Do not attempt to service this unit yourself unless you are authorised to do so. Opening the camera may expose you to dangerous voltages or other hazards. Refer all servicing to qualified personnel only.
5. For more detail installation and operation, please refer to the full operating instructions on CD.

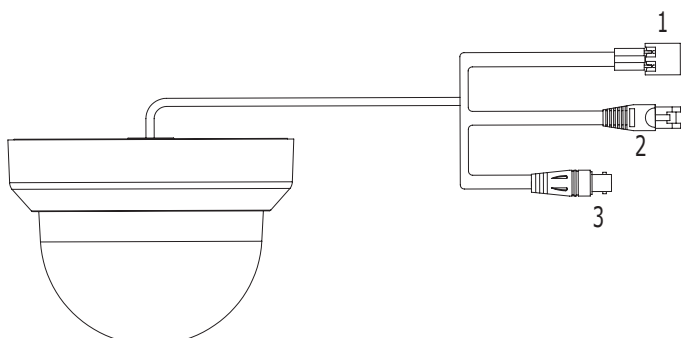
### • PACKAGE CONTENTS

Network Dome Camera	x1	
Printed Quick Start Guide	x1	
CD-ROM (User Manual & IP Finder)	x1	
Guide Pattern Sticker	x1	
RJ45 Female / Female Coupler	x1	
(1) Flat Hand Screw (Machine Type)	x4	
(2) Flat Hand Screw (Tapping Type)	x4	
(3) Plastic Anchor	x4	
(4) Plastic Mounting Button	x4	
(5) Rubber Feet	x4	

### • Concept of Network Camera



### • PARTS' LOCATIONS AND FUNCTIONS



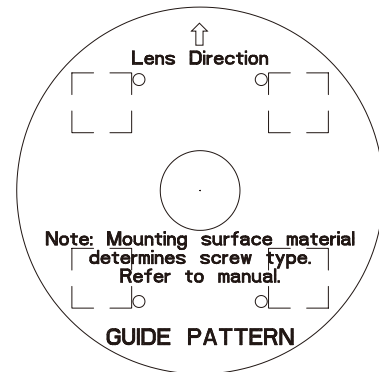
1. Power In (Red+/Black-): power connector, DC12V/AC24V
2. RJ-45 Ethernet Connector: network connection. Support PoE (Power over Ethernet) cable.
3. BNC: video output

### • Camera Installation

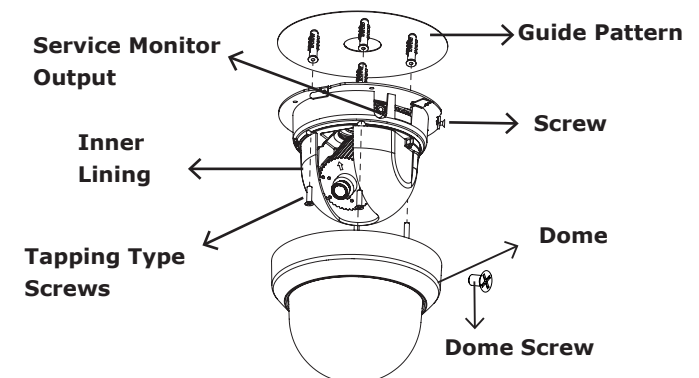
#### Mounting the camera- ceiling mount and wall mount

#### Drill the Mounting Location

1. Place the "Guide Pattern Sticker" on the desired mounting location.
2. Drill 4 mounting holes and 1 cable entry hole.



**Mark hole positions:** Secure the metal plate to the ceiling using the appropriate screws.



**Note 1:** Use the machine type screws if you are attaching the camera to a pendent mount. Use the tapping type screws for all other surfaces.

**Note 2:** For cement surfaces, insert the "Plastic Anchors" into the holes. For softer surfaces, do not use the "Plastic anchors".

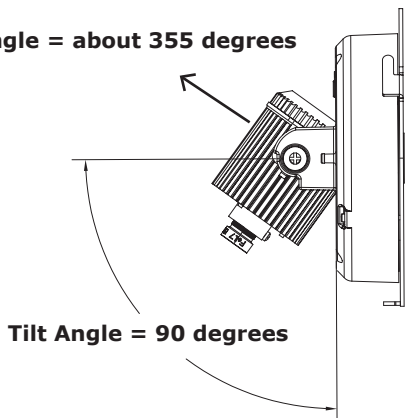
**Note 3:** Use the Rubber Feet for surface mounting.

## Adjusting Camera Angle

**Adjust Angle:** Take off the screw and rotate the dome counter clockwise to unlock and pull free of the housing. Remove the inner liner by gently pulling it free of the two notches in the housing.

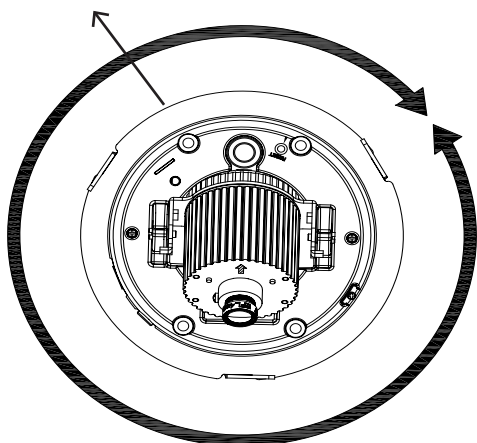
**Adjust Pan & Tilt:** Move camera to your specifications.

**Pan Angle = about 355 degrees**

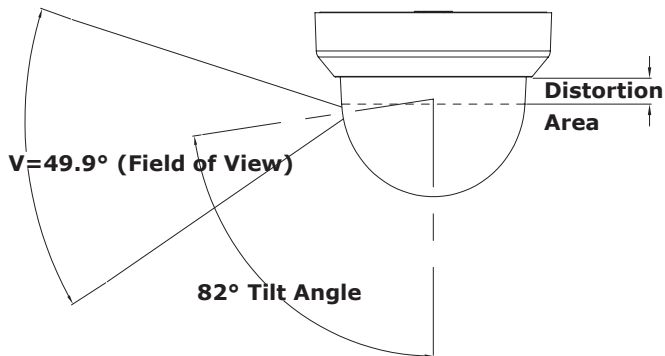


**Tilt Angle = 90 degrees**

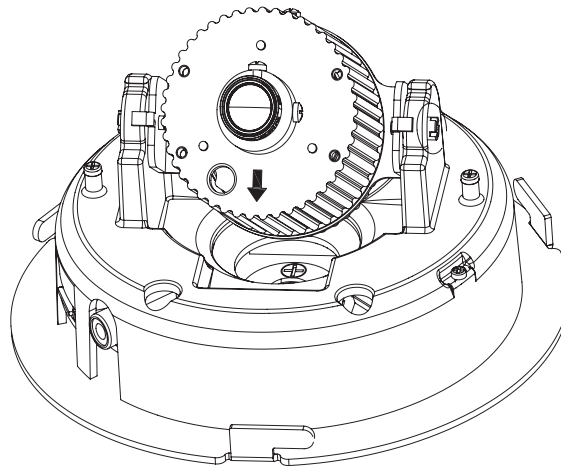
**Horizontal Rotation = 355 degrees**



Note: When the tilt angle is less than 82 degrees there is no distortion.



**Fixed lens:** Check the image using a service monitor or internet browser.



## Assign an IP address

This camera is a network-based camera. The camera's default IP address is **192.168.1.30** and Subnet Mask address is **255.255.255.0**.

1. Connect the network cable to the camera and then turn on the camera's power.
2. Set the personal computer's IP address, other than the camera's default IP address. Such as **192.168.1.100** and Subnet Mask address as **255.255.255.0**.
3. To make sure you have already connected the camera to the personal computer, ping the IP address of the camera. To do this, first open a Command Prompt (Windows: from the Start menu, select Programs. Then select Accessories. Choose Command Prompt. Click OK). Type ping x.x.x.x, where x.x.x.x is the IP address of the Network Camera (default is **192.168.1.30**). If the message of "Reply from..." appears, it means the connection is done.
4. Open a browser and enter IP address: **http://192.168.1.30**. A pop-out window will appear that requires you to login into the camera. Enter the default **user name: admin** and **password: 1234** to login.