

DIGIPLEX EVO

ZX8D 8-Zone Expansion Module V1.0



Instructions



Printed in Canada - 11/2008

The ZX8D 8-zone Expansion Module connects to the EVO control panel's Combus and acts as an interface between the control panel and any hardwired detection devices.

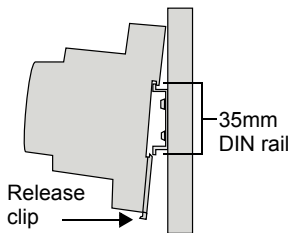
Compatibility

EVO48, EVO192
DGP-848, DGP-NE96, EVO96

Installation

The ZX8D is a standard 35mm DIN rail module. Using the supplied DIN rail, the ZX8D can be mounted in any location. Alternatively, it can be mounted in a standard DIN rail enclosure. To attach the module, align the top of the DIN rail as shown in Figure 1 and apply pressure to the module until it clicks into place. To remove the ZX8D from a DIN rail, pull the release clip and remove the module.

Figure 1: DIN Rail Mounting

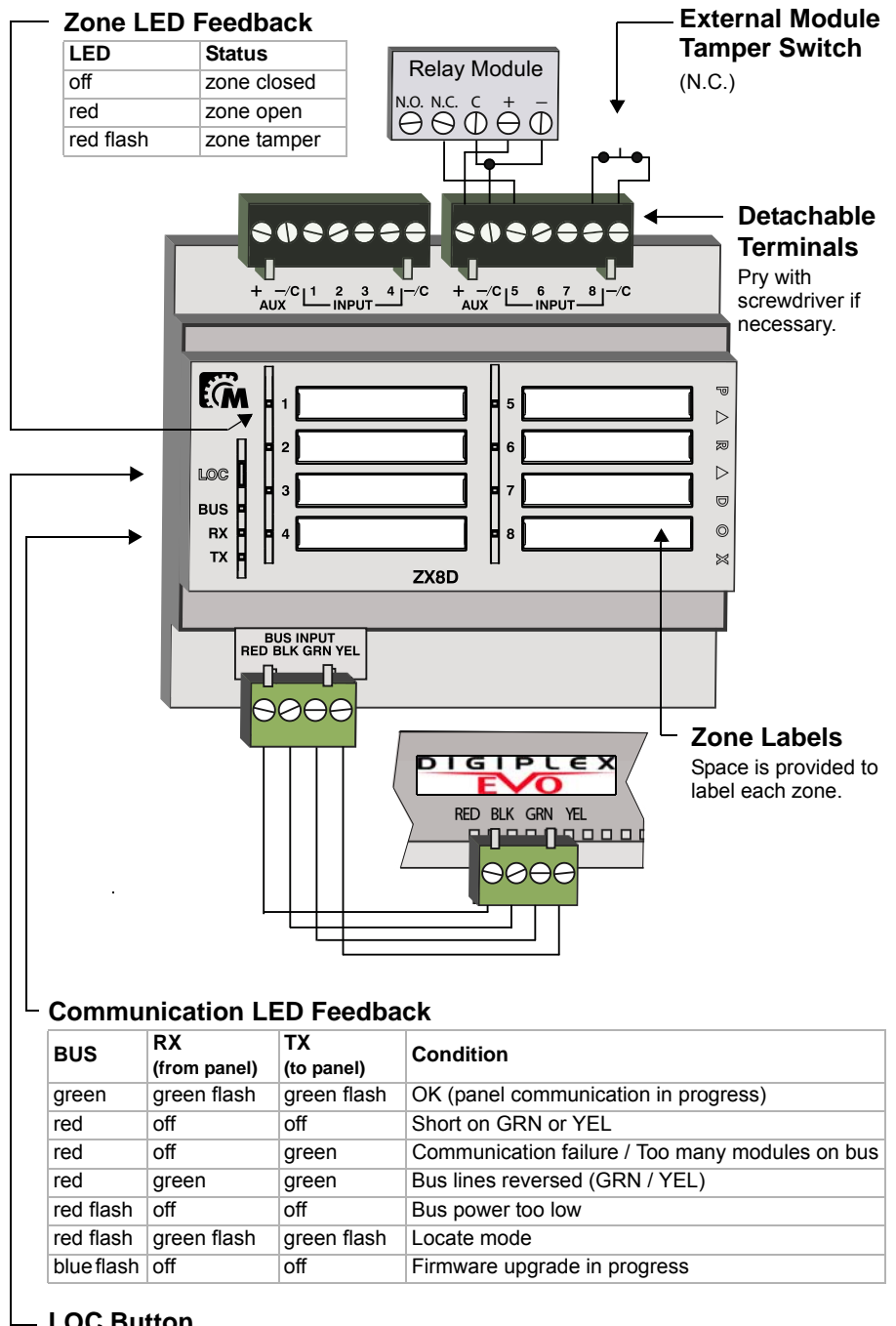


To facilitate installation and servicing, the ZX8D terminals can be detached from the module. Wires can be labeled using the supplied tie wraps.

NOTE: The ZX8D does not support ATZ zone doubling.

Upgrading the Firmware

The ZX8D firmware can be upgraded through WinLoad using the CV4USB RS-485/RS-232 Converter. Refer to the firmware upgrade instructions found at: paradox.com - Software - WinLoad - Firmware Upgrade Instructions



LOC Button

The ZX8D LOC button is used to enter Test Mode (see page 2).

A Module Locate can be performed using section [4002] (EVO) or [952] (DGP-48 / DGP-848). To end a module locate, press and hold LOC for 2 seconds.

Test Mode

To facilitate installation and verify correct wiring, the ZX8D features five Test Modes. In order to use this feature, the ZX8D module must be powered (Test Mode 1 requires a full bus connection).

To enter Test Mode, press the LOC button. The ZX8D enters Test Mode 1. Press the LOC button again to enter Test Mode 2, and so on. On the sixth press, the ZX8D will exit Test Mode.

Mode	Feature	LED Feedback	Instructions
Mode 1*	Input assignment	RX flashes x 1	Entering Mode 1 illuminates all zones that have already been assigned in the control panel.
Mode 2	EOL disabled Tamper disabled	RX flashes x 2	Entering Mode 2 sets the ZX8D for: No EOL / No tamper . To verify correct EOL / tamper wiring, open and close the zone and verify that the zone's LED reacts accordingly.
Mode 3	EOL enabled Tamper disabled	RX flashes x 3	Entering Mode 3 sets the ZX8D for: With EOL / No tamper . To verify correct EOL / tamper wiring, open and close the zone and verify that the zone's LED reacts accordingly.
Mode 4	EOL enabled Tamper enabled	RX flashes x 4	Entering Mode 4 sets the ZX8D for: With EOL / With tamper . To verify correct EOL / tamper wiring, open and close the zone and verify that the zone's LED reacts accordingly.
Mode 5	Zone test	RX flashes x 5	Entering Mode 5 illuminates all connected zones. When a zone is triggered, the corresponding zone LED will turn off, indicating correct wiring.

*This feature will be available on future versions.

EVO Programming

Module Tamper Recognition

Enabling this section will set zone input 8 as a module tamper input.

Section [001]	OFF	ON
Option [1] Tamper Recognition	<input type="checkbox"/> Disabled (default)	<input type="checkbox"/> Enabled

Zone Input Speed

To calculate the zone input speed, multiply the Base Time Selection by the Time Value. (default = all inputs 600ms)

Base Time Selection - Even-numbered sections			Time Value - Odd-numbered sections								
Even-numbered sections represent the base time selection for inputs terminals Z1 to Z8. Using the [▼] and [▲] keys, select a base time* value from 000 to 002. To save and proceed to the next section, Press [ENTER].			Odd-numbered sections represent time value for inputs Z1 to Z8. Enter a 3-digit decimal time value (000 to 255). Multiply by the selected base time.								
Zone	Section	Base Time* Time Value	Zone	Section	Base Time* Time Value	Zone	Section	Base Time* Time Value	Zone	Section	Base Time* Time Value
Zone 1	[002]	__ / __ / __	Zone 3	[006]	__ / __ / __	Zone 5	[010]	__ / __ / __	Zone 7	[014]	__ / __ / __
	[003]	__ / __ / __		[007]	__ / __ / __		[011]	__ / __ / __		[015]	__ / __ / __
Zone 2	[004]	__ / __ / __	Zone 4	[008]	__ / __ / __	Zone 6	[012]	__ / __ / __	Zone 8	[016]	__ / __ / __
	[005]	__ / __ / __		[009]	__ / __ / __		[013]	__ / __ / __		[017]	__ / __ / __
*Base Time Selection	000 = Input Speed is X by 30 milliseconds.		001 = Input Speed is X by 1 second.		002 = Input Speed is X by 1 minute.						

Technical Specifications

Input voltage:	Typically 12 to 16 VDC
Current consumption:	60mA
Number of zones:	8 standard zone inputs
Operating temperature:	-20°C to 50°C (-4°F to 122°F)

Warranty

For complete warranty information on this product please refer to the Limited Warranty Statement found on the website www.paradox.com/terms. Your use of the Paradox product signifies your acceptance of all warranty terms and conditions.

Digiplex EVO is a trademark or registered trademark of Paradox Security Systems Ltd. or its affiliates in Canada, the United States and/or other countries. For the latest information on products approvals, such as UL and CE, please visit www.paradox.com.

© 2008 Paradox Security Systems Ltd. All rights reserved. Specifications may change without prior notice. One or more of the following US patents may apply: 7046142, 6215399, 6111256, 6104319, 5920259, 5886632, 5721542, 5287111, 5119069, 5077549 and RE39406 and other pending patents may apply. Canadian and international patents may also apply.

