

# GV-PPTZ14031 14MP H.265 30X Zoom Low Lux WDR Pro Panoramic PTZ IP

## Camera



### Key Features

- Panoramic fisheye camera (FE) integrated with a PTZ speed dome (SD)
- FE: 1/1.7" progressive scan low lux CMOS  
SD: 1/3" progressive scan low lux CMOS
- Dual streams from H.265 (SD Only), H.264 and MJPEG
- FE: Up to 15 fps at 4000 x 3000  
SD: Up to 30 fps at 1920 x 1080 (60 Hz), 50 fps at 1920 x 1080 (50 Hz)
- FE: Day and night (Electronic)  
SD: Day and night (with removable IR-cut filter)
- SD: Wide Dynamic Range Pro (WDR Pro)
- Vandal resistance (IK10 for metal casing)
- Ingress protection (IP67)
- Wide temperature tolerance (-40°C ~ 50°C / -40°F ~ 122°F)
- FE: 1 built-in Micro SD card slot (SD/SDHC/SDXC/UHS-I, Class 10) for local storage  
SD: 1 built-in SD card slot (SD/SDHC/SDXC/UHS-I, Class 10) for local storage
- 4 sensor inputs and 1 alarm output
- DC 24V / AC 24V / High PoE (PoE++, 53 W)
- FE: Provides 360° panoramic view
- SD: 30x optical zoom and 32x digital zoom
- SD: pan 360° and tilt from -15° to 195°
- SD: Preset speed at up to 460°/sec
- SD: PTZ movement (Preset, Sequence, Auto Pan, Cruise and Tour)
- Two-way audio
- 2D noise reduction
- Tampering Alarm
- Privacy mask
- Visual automation
- Text overlay
- 31 languages on Web interface
- ONVIF (Profile S) conformant

\* No Memory Card Slot & local storage function for Argentina.

\* Optional GV-PA901 PoE Adapter is required for applying PoE function.

### Introduction

GV-PPTZ14031 is a 2-in-1 panoramic PTZ IP camera that includes a 12 MP fisheye panoramic camera and a 2 MP IP Speed Dome. The fisheye camera allows you to monitor all angles of a location, while the speed dome can instantly point toward an area with just one click on the fisheye live view. Without installing any software, you can watch live view and utilize functions such as motion detection, privacy mask, and alert notification through the Web interface.

Photo

Integrated Live View

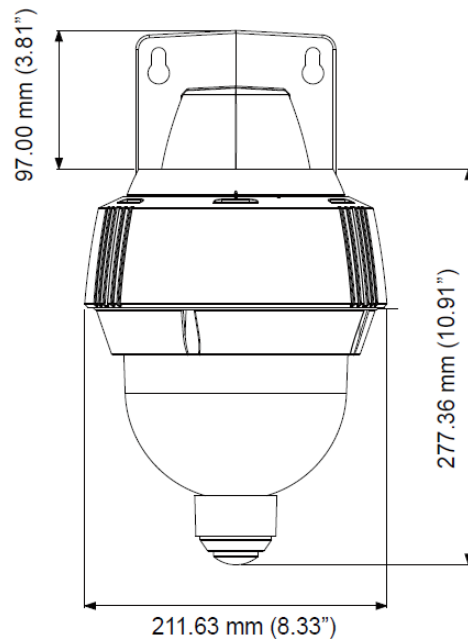
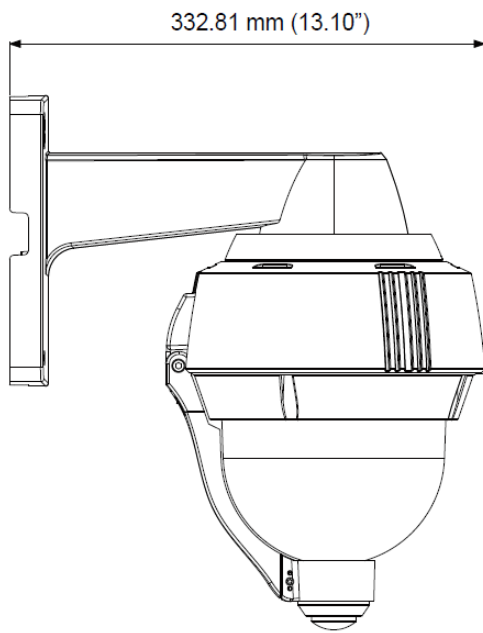


2 MP Speed Dome



12 MP Fisheye Camera

Dimensions



## Specifications

System Requirements		
OS	64-bit	Windows 7 / 8 / 8.1 / 10 / Server 2008 R2 / Server 2012 R2
GV-VMS Version		GV-VMS V16.11.0.0 or later
Browser		Internet Explorer 8.x or later, Firefox, Google Chrome, Safari
Camera		
Image Sensor		FE: 1/1.7" progressive scan low lux CMOS SD: 1/3" progressive scan low lux CMOS
Picture Elements		FE: 4000 (H) x 3000 (V) SD: 1920 (H) x 1080 (V)
Minimum Illumination	Color	FE: 0.1 Lux SD: 0.5 Lux
	B/W	FE: 0.05 Lux SD: 0.1 Lux
Shutter Speed		FE: Automatic, Manual (1/25 ~ 1/16000 sec.) SD: Automatic, Manual (1/6 ~ 1/30000 sec.)
White Balance		Automatic, Manual (2800K ~ 8500K)
Gain Control		FE: Automatic SD: Automatic, Manual
S/N Ratio		FE: 52 dB SD: 50 dB (AGC Off)
WDR Pro		FE: N/A SD: Yes
Dynamic Range		FE: Up to 72 dB SD: Up to 100 dB
Optic Lens		
Megapixel		Yes
Day/Night		FE: Yes (Electronic) SD: Yes (with removable IR-cut filter)
Lens Type		FE: Fixed SD: 30x Zoom Lens
Focal Length		FE: 1.505 mm SD: 4.3 ~ 129 mm
Maximum Aperture		FE: F/2.0 SD: F/1.6
Horizontal FOV		FE: 180° SD: 58.9° ~ 2.11°
Operation	Focus	FE: Fixed SD: Automatic / Manual
	Zoom	FE: Fixed SD: 30x Optical Zoom
	Iris	FE: Fixed SD: Automatic / Manual
Operation		
Video Compression		H.265 (SD Only), H.264, MJPEG
Video Streaming		Dual streams
Frame Rate		FE: 15 fps at 4000 x 3000, 25 fps at 2896 x 2768 (60/50 Hz) SD: 30 fps at 1920 x 1080 (60 Hz), 50 fps at 1920 x 1080 (50 Hz) *The frame rate and the performance may vary depending on the number of connections and data bitrates (different scenes).
Image Setting		Backlight Compensation, Brightness, Contrast, Saturation, Sharpness, Gamma, White Balance, Flicker-less, Shutter Speed, D/N, Denoise, Metering
Audio Compression		G.711, AAC (optional)
Audio Support		Two-Way Audio
Sensor Input		4 Input (Dry Contact)
Alarm Output		1 Digital Output (4A 30 V DC / 250 V AC)

Video Resolution		
Main Stream (FE)	4:3	4000 x 3000 (Default)
	20:19	2896 x 2768
Sub Stream (FE)	4:3	1024 x 768 (Default), 640 x 480
	20:19	960 x 912, 640 x 608
Main Stream (SD)	16:9	1920 x 1080 (Default), 1280 x 720, 640 x 360
Sub Stream (SD)		1280 x 720, 640 x 360 (Default), 448 x 256
Network		
Interface	10/100 Ethernet	
Protocol	DHCP, DNS, DynDNS, FTP, HTTP, HTTPS, ICMP, IPv4, IPv6, Multicast, NTP, ONVIF (Profile S), RTP, RTCP, RTSP, SMTP, SSL, TCP, UDP, UPnP	
Mechanical		
Temperature Detector	Yes	
Connectors	Power	DC Jack (DC 24V, 3.75A), PoE++
	Ethernet	10/100 Base-T, RJ-45 Connector
	Audio	1 in (RCA female for microphone); 1 out (RCA female for speaker)
	Digital I/O	I/O wires
	Local Storage	FE: Micro SD card slot (SD/SDHC/SDXC/UHS-I, Class 10) SD: SD card slot (SD/SDHC/SDXC/UHS-I, Class 10) * <b>UHS-II</b> card types are not supported.
PTZ Control Panel		
Pan Travel	360°	
Tilt Travel	-15° ~ 195°	
Manual Speed	0.1 ~ 460°/s	
Calibration	Automatic / Manual	
Presets	Max. Number	255
	Accuracy	0.2°
Sequence	Max. Number	8
	Max. Presets	16
Auto Pan	8	
Cruise	4	
Tour	Max. Number	8
	Max. Number of Preset / Sequence / Auto Pan / Cruise	16
Privacy Mask	8	
Proportional Pan & Tilt	Automatic (Pan and tilt speed proportional to zoom ratio)	
Automatic Function	Preset, Sequence, Auto Pan, Cruise, Tour	
Mechanical Flip	On / Off	
Digital Slow Shutter	On / Off	
Motion Detection	On / Off	
Wide Dynamic Range	On / Off	
Day/Night: Mechanical IR Cut Filter	On / Off	
Picture Flip	On / Off	
Image Freeze	On / Off	
Digital Noise Reduction	On / Off	
Alarm	Input	4
	Output	1
	Reaction	Presets, Sequence, Auto Pan, Cruise, Tour

General	
Operating Temperature	-40°C ~ 50°C (-40°F ~ 122°F)
Heater	Heater 1 (15 W) On: 15°C (59°F); Off: 18°C (64.4°F) Heater 2 (30 W) On: 3°C (37.4°F); Off: 8°C (46.4°F)
Fan On	>55°C (131°F) < 15°C (59°F)
Humidity	10% ~ 90% (no condensation)
Power Source	DC 24V / AC 24V / High PoE (PoE++, 53 W)
Max. Power Consumption	57.2 W
Dimension (Straight Tube Mount)	Ø 211 x 277 mm (8.3" x 10.9")
Weight	3.3 kg (7.27 lb)
Ingress Protection	IP67
Vandal Resistance	IK10 for metal casing
Regulatory	CE, FCC, RCM, RoHS compliant
Power over Ethernet	
PoE Standard	PoE++ (53 W) / PD
PoE Power Supply Type	End-Span
PoE Power Output	Per Port 56V DC, 1050 mA. Max. 53 watts
Web Interface	
Installation Management	Web-based configuration
Maintenance	Firmware upgrade through Web Browser or Utility
Access from Web Browser	Camera Live View, Video Recording, PTZ Control, Preset, Sequence, Cruise, Auto Pan, Tour, Change Video Quality, Bandwidth Control, Image Snapshot, Digital I/O Control, Two-Way Audio, Picture in Picture, Picture and Picture, Motion Detection, Privacy Mask, Visual Automation, Tampering Alarm, Text Overlay
Language	Arabic / Bulgarian / Czech / Danish / Dutch / English / Finnish / French / German / Greek / Hebrew / Hungarian / Indonesian / Italian / Japanese / Lithuanian / Norwegian / Persian / Polish / Portuguese / Romanian / Russian / Serbian / Simplified Chinese / Slovakian / Slovenian / Spanish / Swedish / Thai / Traditional Chinese / Turkish
Applications	
Software Supported	GV-VMS (V16.11.0.0), GV-Backup Center (V1.2.0.0), GV-Recording Server (V1.3.0.0)
Mobile Phone Support	GV-Eye for iOS and Android
Live Viewing	Browser (IE, Chrome, Firefox, Safari), Mobile App
CMS Server Support	GV-Center V2 (V16.11), GV-Vital Sign Monitor (V16.11) *Integrated live view not supported in GV-Center V2 and GV-Vital Sign Monitor

**Note:**

- Do not use clothes or any ordinary material to clean the camera cover since they may result in scratches.
- Mind the following when using an inserted memory card for recording:
  - Recorded data on the memory card can be damaged or lost if the data are accessed while the camera is under physical shock, power interruption, memory card detachment or when the memory card reaches the end of its lifespan. No guarantee is provided for such causes.
  - The stored data can be lost if the memory card is not accessed for a long period of time. Back up your data periodically if you seldom access the memory card.
  - Memory cards are expendable and their durability varies according to the conditions of the installed site and how they are used. Back up your data regularly and replace the memory card annually.
  - To avoid power outage, it is highly recommended to apply a battery backup (UPS).
  - For better performance, it is highly recommended to use Micro SD card of MLC NAND flash, Class 10.
  - Replace the memory card when its read/write speed is lower than 6 MB/s or when the memory card is frequently undetected by the camera.
- Specifications are subject to change without notice.

## Packing List

- |                                  |                        |
|----------------------------------|------------------------|
| 1. Panoramic PTZ Camera          | 7. Rubber Ring         |
| 2. Data Cable                    | 8. Torx Wrench         |
| 3. Pendant Tube<br>(GV-Mount207) | 9. RJ-45 Connector     |
| 4. 3 mm Hex Key                  | 10. Desiccant Pack x 2 |
| 5. 4 mm Hex Key                  | 11. Download Guide     |
| 6. 5 mm Hex Key                  | 12. Warranty Card      |

**Note:** Power adapters can be purchased upon request.

## Accessories

Model No.	Name		Details
GV-Mount102	Straight Tube Box Mount		Dimensions: 256 x 256 x 316 mm (10.1 x 10.1 x 12.4") Weight: 6.6 kg (14.6 lb)
GV-Mount103	Straight Tube Mount		Dimensions: 219 x 125 x 340 mm (8.6 x 4.9 x 13.4") Weight: 2.2 kg (4.9 lb)
GV-Mount208-1	Swan Neck Mount		Dimensions: 1043 x 565 x 256 mm (41.06 x 22.24 x 10.08") Weight: 10.6 kg (23.37 lb)
GV-Mount300-1	Convex Corner Adapter Kit		Dimensions: 238.6 x 395.2 x 210 mm (9.4" x 15.5" x 8.2") Weight: 4.27 kg (9.41 lb)
GV-Mount310-1	Concave Corner Adapter Kit		Dimensions: 111.2 x 369.9 x 210 mm (4.37" x 14.5" x 8.2") Weight: 2.96 kg (6.53 lb)

Model No.	Name		Details
GV-Mount400-1	Pole Mount Bracket Kit (Ø 4" ~ 6")		Dimensions: Bracket: 68.4 x 240 x 163 mm (2.69" x 9.44" x 6.41") Weight: 1.70 kg (3.75 lb) Steel Strap Diameter: Ø 4" ~ 6"
GV-Mount410-1	Pole Mount Bracket Kit (Ø 6" ~ 7.5")		Dimensions: Bracket: 68.4 x 240 x 163 mm (2.69" x 9.44" x 6.41") Weight: 1.70 kg (3.75 lb) Steel Strap Diameter: Ø 6" ~ 7.5"
GV-Mount501	Convex Corner Box Mount		Dimensions: 136 x 256 x 256 mm (5.4 x 10.1 x 10.1") Weight: 4.8 kg (10.6 lb)
GV-Mount702	Extension Tube		Four options are available. Dimensions: Ø 5.4 x 10 or 20 or 30 or 50 cm (Ø 2.1" x 3.9" or 7.9" or 11.8" or 19.7") Weight: 180 g or 390 g or 550 g or 800 g (0.4 lb or 0.86 lb or 1.21 lb or 1.76 lb)
GV-Mount908-3	In-Ceiling Mounting Kit		Mounting plate: 280 x 128 x 238 mm (11 x 5 x 9.3") Weight: 2.3 kg (5 lb)
GV-PA901	PoE Adapter		The GV-PA901 PoE adapter is designed to provide power and network connection to IP cameras over a single Ethernet cable.
Power Adapter	Contact our sales representatives for the countries and areas supported.		