

GV-UBL1301 Series 1.3MP H.264 WDR IR Ultra Bullet IP Camera



- 1.3 megapixel progressive scan CMOS
- Dual streams from H.264 and MJPEG
- Up to 30 fps at 1280 x 1024
- Intelligent IR
- Day and Night function (with removable IR-cut filter)
- Wide Dynamic Range (WDR)
- Defog
- Vandal resistance (IK10 for metal casing)
- Ingress protection (IP67)
- One alarm input and sensor output
- Memory Card Slot
- Motion detection
- Tampering alarm
- Visual automation
- Text overlay
- Privacy mask
- IP address filtering
- DC 5V / PoE
- Megapixel lens
- Supports iPhone, iPad, Android & 3GPP
- 31 languages on Web interface
- ONVIF conformant

* No memory card slot & local storage function for Argentina

Introduction

The Ultra Bullet Camera is a light-weighted cameras designed for outdoor environments. It adheres to the IP67 standard and has full protection against dust and jets of water. The camera is available in various focal lengths to best suit your needs.

Models

Model	Iris	Focal Length (mm)	Maximum Aperture	Image Format
GV-UBL1301-0F	Fixed	3	F/1.6	1/3"
GV-UBL1301-1F	Fixed	4	F/1.6	1/3"
GV-UBL1301-2F	Fixed	8	F/1.6	1/3"
GV-UBL1301-3F	Fixed	12	F/1.6	1/3"

Active Tampering Alarm

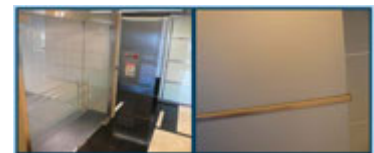
Tampered



Focus Change

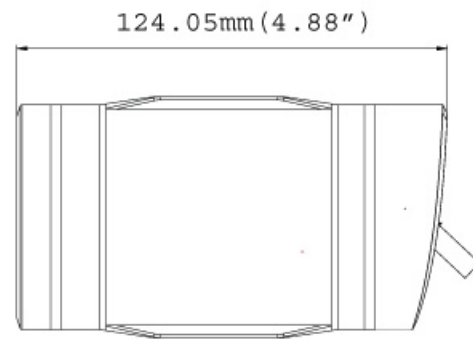
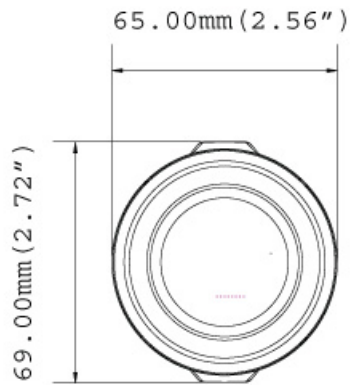


Camera Shift



Overview

- Dimensions



- Panel



Specifications



Camera				
Image Sensor	1/2.5" progressive scan CMOS "			
Picture Elements	1280 (H) x 1024 (V)			
Minimum Illumination	Color	0.15 Lux at F/1.6		
	B/W	0 Lux at F/1.6		
	IR ON			
Shutter Speed	Automatic, Manual (1/5 ~ 1/8000 sec.)			
White Balance	Automatic, Manual (2800K ~ 8500K)			
Gain Control	Automatic			
S/N Ratio	45 dB			
BLC	Yes			
Lens	GV-UBL1301-0F	GV-UBL1301-1F	GV-UBL1301-2F	GV-UBL1301-3F
Megapixel	Yes			
Focal Length	3 mm	4 mm	8mm	12 mm
Day/Night	Yes (with removable IR-cut filter)			
Lens Type	Fixed Lens			
Maximum Aperture	F/1.6			
Mount	M12			
Image Format	1/3"			
Operation	Focus	Fixed		
	Zoom	Fixed		
	Iris	Fixed		
IR LED Quantity	4 IR LEDs			
Max. IR Distance	10 m (32.81 ft.)			

Operation		
Video Compression	H.264, MJPEG	
Video Stream	Dual streams from H.264 and MJPEG	
Frame Rate	30 fps at 1280 x 1024 *The frame rate and the performance may vary depending on the number of connections and data bitrates (different scenes).	
Image Setting	Brightness, Contrast, Sharpness, Gamma, White Balance, Flicker-less, Image Orientation, Backlight Compensation, Zoom, Focus Change, Shutter Speed, D/N Sensitivity, WDR, Defog	
Two-way Audio	No	
Video Resolution		
Main Stream	4 : 3	1280 x 960, 640 x 480, 320 x 240
	16 : 9	1280 x 720, 640 x 360, 448 x 252
	5 : 4	1280 x 1024, 640 x 512, 320 x 256
Sub Stream	4 : 3	640 x 480, 320 x 240
	16 : 9	640 x 360, 448 x 252
	5 : 4	640 x 512, 320 x 256
Network		
Interface	10/100 Ethernet	
Protocol	HTTP, HTTPS, TCP, UDP, SMTP, FTP, DHCP, NTP, UPnP, DynDNS, 3GPP/ISMA, RTSP, PSIA, SNMP, QoS (DSCP), ONVIF	
Mechanical		
Temperature Detector	Yes	
Connectors	Power	2-pin terminal block, PoE
	Ethernet	RJ-45
	Digital I/O	I/O Wire
	Local Storage	Micro SD/SDHC/SDXC memory card slot (for Class 6 card or above)
General		
Environment Temperature	Start-up	-20°C ~ 45°C (-4°F ~ 113°F)
	Operation	-30°C ~ 45°C (-22°F ~ 113°F)
Humidity	10% to 90% (no condensation)	
Power Source	5V DC / PoE	
Max. Power Consumption	5.52 W	
Dimensions	124 x 65 x 69 mm (4.8" x 2.6" x 2.7")	
Weight	730 g (1.6 lb)	
Ingress Protection	IP67	
Vandal Resistance	IK10 for metal casing	
Regulatory	CE, FCC, C-Tick, RoHS compliant	
Power over Ethernet		
PoE Standard	IEEE 802.3af Power over Ethernet / PD	
PoE Power Supply Type	End-Span	
PoE Power Output	Per Port 48V DC, 350mA. Max. 15.4 watts	
Web Interface		
Installation Management	Web-based configuration	
Maintenance	Firmware upgrade through Web Browser or Utility	
Access from Web Browser	Camera live view, video recording, change video quality, bandwidth control, image snapshot, digital I/O control, Picture in Picture, Picture and Picture, Privacy Mask, Visual Automation, Tampering Alarm, Text Overlay	
Language	Arabic / Bulgarian / Czech / Danish / Dutch / English / Finnish / French / German / Greek / Hebrew / Hungarian / Indonesian / Italian / Japanese / Lithuanian / Norwegian / Persian / Polish / Portuguese / Romanian / Russian / Serbian / Simplified Chinese / Slovakian / Slovenian / Spanish / Swedish / Thai / Traditional Chinese / Turkish	
Application		
Network Storage	GV-NVR, GV-System, GV-Backup Center, GV-Recording Server	
Smart Device Access	GV-Eye for Android smartphone, tablet, iPhone and iPod Touch GV-Eye HD for iPad	
Live Viewing	IE, mobile phone	
CMS Server support	GV-Control Center, GV-Center V2, GV-VSM	

Note:

1. The signal range and data throughput may vary depending on the network conditions and environmental factors.
2. Specifications are subject to change without notice.

Accessories

Name	Details
 <p>GV-PA191 PoE Adapter</p>	<p>Weight: 130 g (0.29 lb) Dimensions (H x W x D): 43 x 69 x 40 mm (1.69" x 2.72" x 1.57")</p>
 <p>GV-Relay V2</p>	<p>The GV-Relay V2 is designed to expand the voltage load of GV IP devices. It provides 4 relay outputs, and each can be set as normally open (NO) or normally closed (NC) independently as per your requirement.</p>
<p>Power Adapter</p>	<p>Power adapters are available in 4 regions: U.S.A., Australia, U.K and Europe.</p>